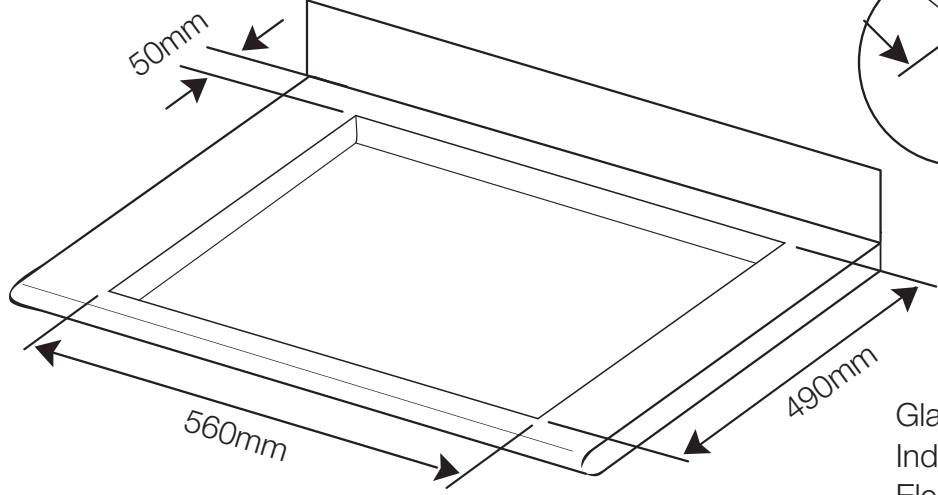
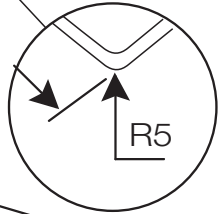
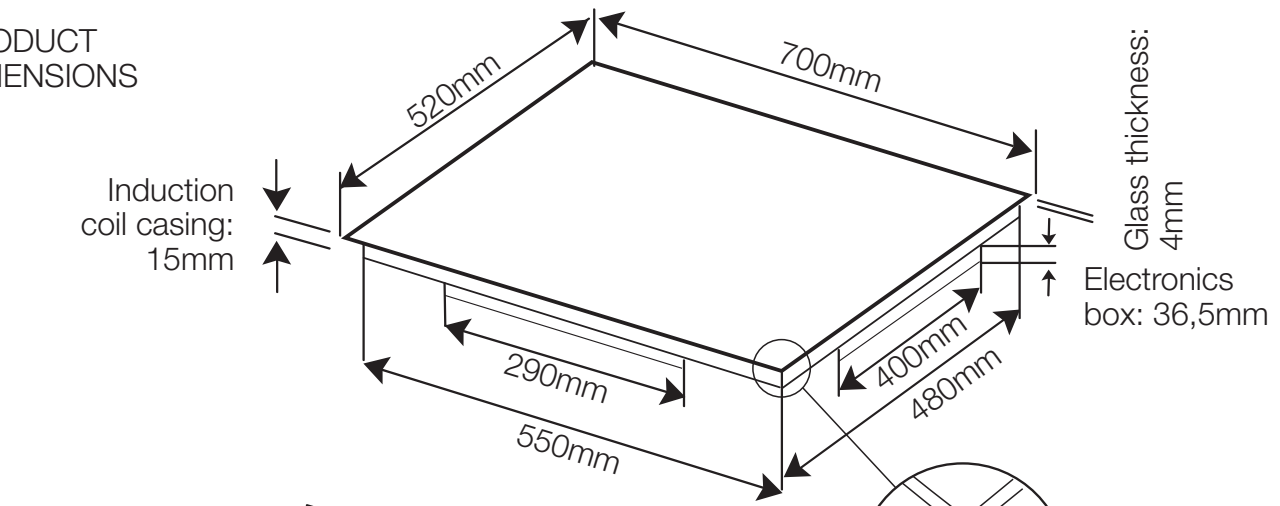


PRODUCT DIMENSIONS



CUT-OUT

- Glass thickness: 4mm
- Induction coil casing: 15mm
- Electronics box: 36,5mm
- Overall height: 55,5mm